



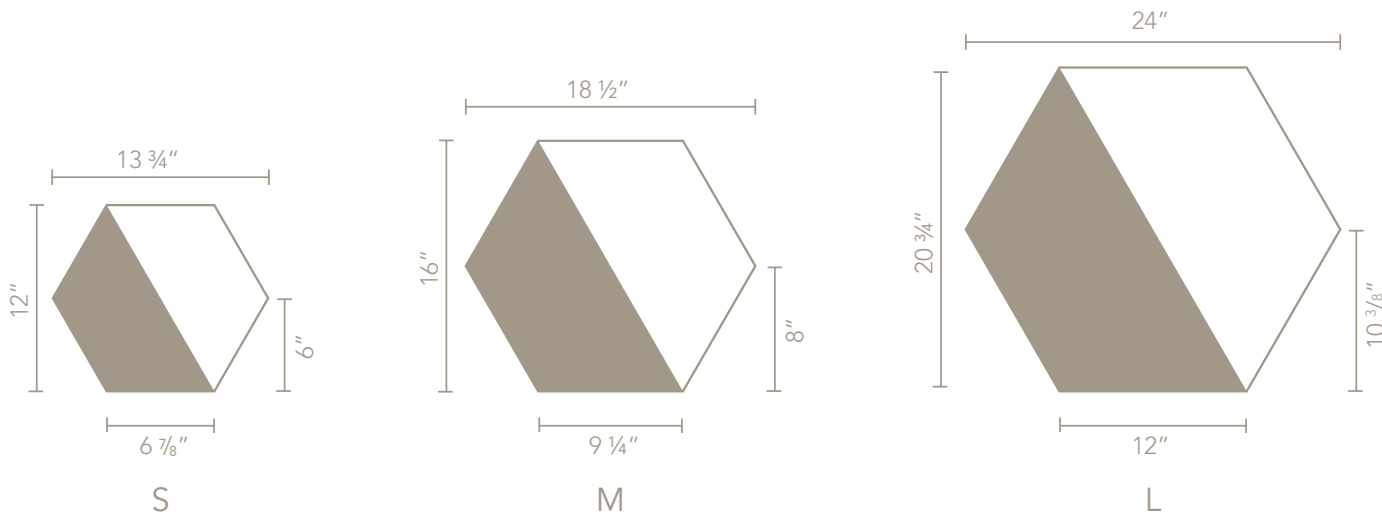
Xorel Artform®

xorelartform.com | service@carnegiefabrics.com | 1-800-727-6770

Hex 3D

SHAPE SPECIFICATIONS

Xorel fabrics available on
Hex 3D → xorelartform.com



Xorel ArtForm Substrates

Quiet-Core™

This acoustical substrate is sound absorbing, formaldehyde-free and manufactured with 20% post-consumer recovered materials. It is available in a 1" thickness. It meets ASTM E84 Class A/Class 1.

3D Acoustical Coefficients

Fabric wrapped with Xorel and no airspace between panel and wall.

Thickness	250Hz	500Hz	1000Hz	2000Hz	NRC
1 7/8"	.35	.97	.91	1.10	.70

Dimensional Orientation

Box sets of Hex 3D panels include "handed" shapes which feature the dimensional element oriented towards either right or left. This attention to detail ensures that the specified Xorel fabric weave is wrapped along the panel in the same direction so that fit and finish are not compromised when changing panel orientation. Two of each handed shape are included in each box set.

