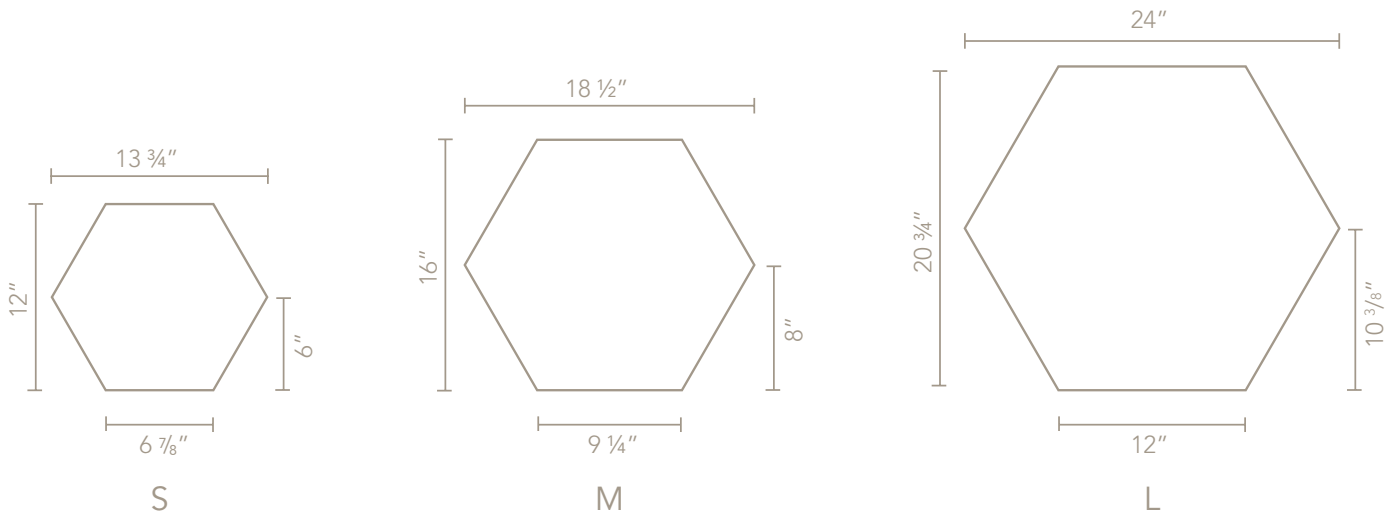




# Hex

## SHAPE SPECIFICATIONS

Xorel fabrics available on  
Hex → [xorelartform.com](https://xorelartform.com)



## Xorel ArtForm Substrates

### Quiet-Core™

This acoustical substrate is sound absorbing, formaldehyde-free and manufactured with 20% post-consumer recovered materials. It is available in a 1" thickness. It meets ASTM E84 Class A/Class 1.

### Acoustical Coefficients

Fabric wrapped with Xorel and no airspace between panel and wall.

Thickness	250Hz	500Hz	1000Hz	2000Hz	NRC
1"	.35	.97	.91	1.10	.70

### Mi-Core™

This tackable substrate offers moderate acoustical properties. Mi-Core™ is constructed with inorganic minerals and fibers making it resistant to moisture and warping. ASTM E84 Class A/Class 1.

### Acoustical Coefficients

Fabric wrapped with Xorel and no airspace between panel and wall.

Thickness	250Hz	500Hz	1000Hz	2000Hz	4000Hz	NRC
3/4"	.18	.31	.36	.41	.46	.30